



EON15 G2

Powered
Speaker
System



Application:

Live sound reinforcement, speech, vocals, and music playback in entertainment, A/V, and institutional venues - especially when ease of use, audio quality and portability are important factors.

Amplification, mixing, and monitoring for electronic musical instruments.

Key Features:

- ▶ The second generation of one of the most successful and influential professional speaker systems ever.
- ▶ 15" Differential Drive® low-frequency driver with dual neodymium magnet for light weight and reduced distortion.
- ▶ 1" (throat diameter) JBL compression driver with 1.75" titanium diaphragm and ferro-fluid cooling.
- ▶ 300 watts low-frequency and 100 watts high-frequency (bi-amplified) - actual power delivered to the drivers.
- ▶ Built in 3-input mixer. One balanced mic/line input, two 1/4" phone line-level inputs. Two-band equalization.
- ▶ Balanced loop-through/mix output. "Daisy-chain" additional EON speakers or send the mixed output to a mixing console.
- ▶ 60° x 90° (nominal) constant directivity horn.
- ▶ Thermomaster® Total Thermal Management System®. A single piece, cast-aluminum baffle integrates the woofer frame, horn, and amplifier heat sink. Air movement in the finned ports dissipates heat - no internal or external cooling fans are required.
- ▶ Rugged, light-weight, black co-polymer enclosure.
- ▶ Integral 35 mm pole mount receptacle.
- ▶ Multi-angle enclosure for front of house or stage monitor application.
- ▶ Tailored dynamic processing protects amplifiers and speakers from being over-driven without producing extreme changes in frequency response as level varies.
- ▶ Extended low-frequency performance Delivers powerful bass down to 39 Hz.

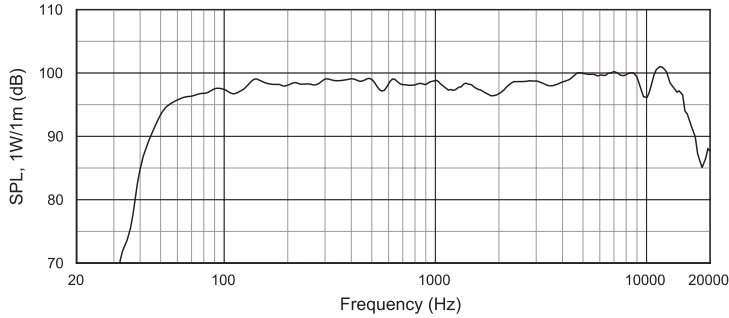


Preliminary Specifications:

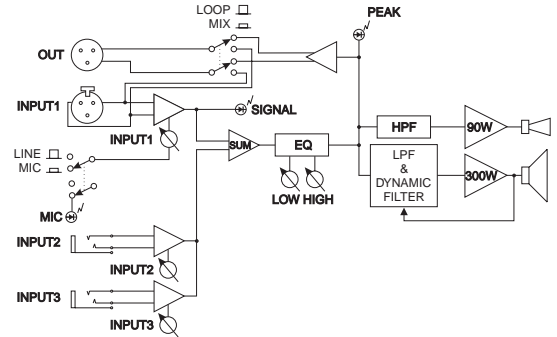
Freq. Range (-10 dB):	39 Hz - 18 kHz
Freq. Response (± 3 dB):	42 Hz - 17 kHz
Horz. Coverage (-6 dB):	90° Nominal
Vert. Coverage (-6 dB):	60° Nominal
Rated Maximum SPL:	129 dB, @ 1 m (3.3 ft)
Dimensions (H x W x D):	686 mm x 430 mm x 444 mm (27 in x 17 in x 17.5 in.)
Net Weight:	21 kg (46 lbs.)
LF Driver:	Integral frame with one 15" (380 mm) driver, dual neodymium magnet, 2" differential drive voice-coil.
HF Driver:	JBL 2418H-1 1" (throat diameter) compression driver with 1.75" diameter titanium diaphragm. Ferro-fluid cooled.
Amplifier Power LF:	300 watts @ low-frequency driver impedance.
Amplifier Power HF:	100 watts @ high-frequency driver impedance.
Input 1 Sensitivity:	-44 dBu to -22 dBu for rated output (Mic/Line switch in MIC position) -12 dBu to +20 dBu for rated output (Mic/Line switch in LINE position)
Input 2 & 3 Sensitivity:	-18 dBu to +20 dBu for rated output
Output Level:	+20 dBu (peak), Loop/Mix switch in MIX position
Audio Connectors:	
• Input 1:	XLR/E, balanced
• Input 2 & 3:	1/4" Phone, balanced (TRS)
Crossover Freq:	1.5 kHz
Limiting:	Low frequency amplifier controlled by dynamic filter
Loop/Mix Out:	XLR/M, balanced
EQ:	High Frequency Shelving, ± 15 dB @ 5 kHz Low Frequency Shelving, ± 15 dB @ 120 Hz.
AC Input:	110 - 230 VAC, 50 - 60 Hz., 175 watts rating per UL, detachable IEC power cable

▶ EON15 G2

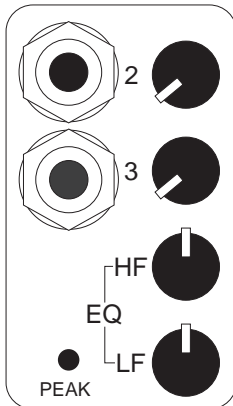
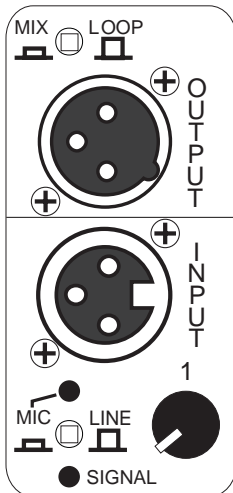
On Axis Frequency Response



Block Diagram



Audio Panel



Available Accessories

- SS2-BK Tripod Stand
- ESK15 Suspension Kit for EON 15" models
- BRK15 Bracket, adapts EON 15" models to OmniMount® brackets
- EON15WB Zippered, plush-lined Cordura® bag with wheels
- EON15 BAG Zippered, plush-lined Cordura® carrying bag.

We are constantly improving our products so these preliminary specifications are subject to change without notice.

©Copyright 2000 JBL Professional

Part Number: SSEON15-G2



JBL Professional
 8500 Balboa Boulevard,
 P.O. Box 2200
 Northridge, California 91329 U.S.A.
www.jblpro.com
 A Harman International Company