



EON SUB G2 15 inch Powered Subwoofer



Application:

Low frequency augmentation for live sound reinforcement, and music playback in entertainment, A/V, institutional venues and other portable and installed applications - especially when the ease of adding a subwoofer to an existing system and/or portability are important factors.

Key Features:

15" Differential Drive™ low-frequency driver with dual neodymium magnet for light weight, high output and reduced distortion.

250 watt amplifier - actual power delivered to the driver.

Thermomaster™ Total Thermal Management System™. A single piece, cast-aluminum baffle integrates the woofer frame and amplifier heat-sink. Air movement in the finned ports dissipates heat - no internal or external cooling fans are required.

Male and Female XLR Output/Input connectors for flexibility when daisy-chaining EON speaker systems together

1/4" phone jack for speaker level inputs. Add the EON Sub to existing speaker systems that use a powered mixer or external amplifier.

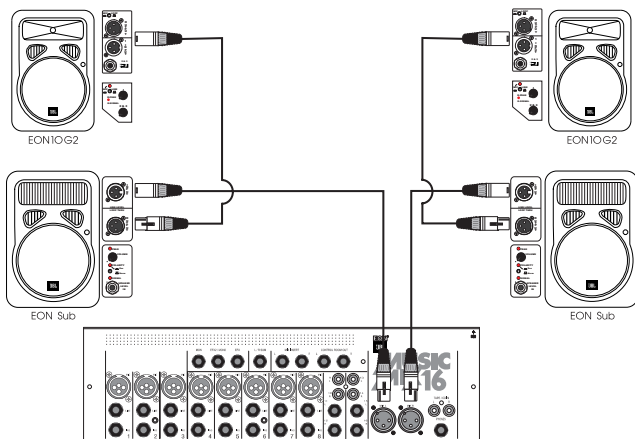
Polarity switch with indicator LED for matching woofer cone movements and getting maximum bass performance with your mid/high speakers.

Rugged, light-weight, black co-polymer enclosure.

Integral 35mm pole mount receptacle with securing thumb screw.

Cable dress channels on the rear of the enclosure for power and input cables.

Extended low-frequency performance. Delivers powerful bass down to 40 Hz.



Preliminary Specifications

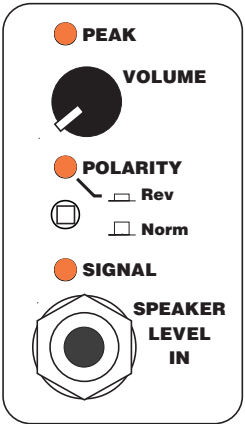
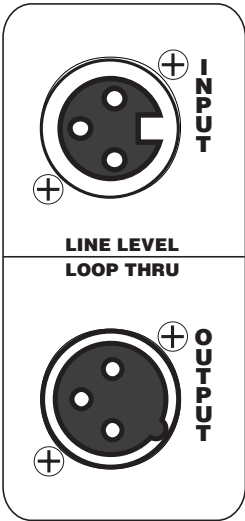
Freq. Range (-10dB):	40 Hz - 200 Hz
Freq. Response (± 3 dB):	42 Hz - 150 kHz
Sensitivity (1w, 1m):	93 dB SPL
Rated Maximum SPL:	117dB, @ 1m (3.3 ft)
Dimensions (HxWxH):	686 mm x 430 mm x 444 mm (27 in x 17 in x 17.5 in.)
Net Weight:	19.5 kg (43 lbs.)
LF Driver:	Integral frame with one 15" (380 mm) driver, dual neodymium magnet, 2" differential drive voice coil
Amplifier Power:	250 watts @ 2 Ω , no more than 0.1% THD
Low Pass Filter:	125 Hz, active, 2 pole
Enclosure Alignment:	6 th order
Input Type:	Balanced Differential
Input Sensitivity	Line: +4dBu (nominal) Speaker: 20 volts
Input Impedance	Line: 16 k Ω Speaker: 143 k Ω
Max Input Level	Line: +28 dB Speaker: 120 VRMS



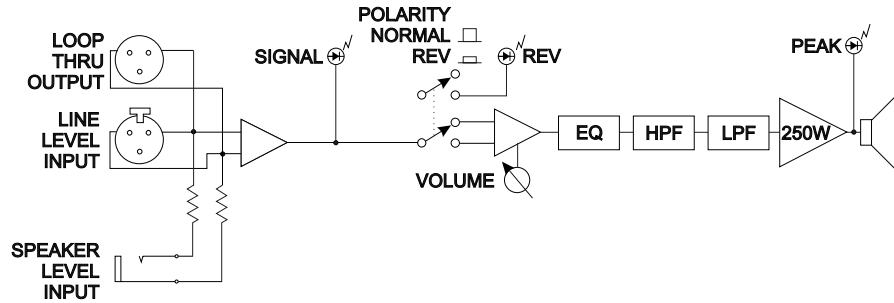
EONSUB G2 15 inch Powered Subwoofer



Input Panel



Block Diagram



Connector Configurations

Audio Connectors	
Input	XLR/F, balanced
Output	XLR/M, balanced
Speaker Input Level	1/4" Phone
AC Input	110 - 230 VAC, selectable, 50 - 60 Hz, 203 watts rating per UL, detachable IEC power cable

Available Accessories

SS2-BK	Tripod Stand
ESK15	Suspension Kit for EON 15" models (excluding EON1500)
BRK15	Bracket, adapts EON 15" models to OmniMount® brackets
EON15WB	Zippered, plush-lined Cordura® bag with wheels for EON15" models
EON15 BAG	Zippered, plush-lined Cordura® carrying bag for EON15" models

We are constantly improving our products so these preliminary specifications are subject to change without notice.



A Harman International Company

JBL Professional 8500 Balboa Boulevard, P.O. Box 2200, Northridge, California 91329 U.S.A., www.jblpro.com

©Copyright 2000 JBL Professional • Part Number: SSEONSUB G2

CRP 10M
11/00